

**GROUP**

**YOUR EXCLUSIVE**

**Lifting Partner**



# ABOUT OVP



## OUR VISION

OVP Group was founded on the belief that a business doesn't have to compromise to create great products at great prices. We embarked on this journey with a clear set of objectives: to offer the highest quality Italian equipment for the construction and building industry at an unparalleled value.

## WHAT WE DO

We manufacture equipment designed to improve and facilitate the construction process. We offer a range of products that aims to satisfy any need of the construction site.



## CONSULTANCY

Whether it's to clarify a doubt or get advice on the best solution, we have your back. Our experienced technical team will be happy to collaborate with you. Our efficient and flexible structure allows to custom engineering and manufacturing to specific customer requirements. We plan, organize and manage the best shipping and logistics solutions.

## AFTER SALES SUPPORT

We want to offer our customers the best possible experience, starting from the initial information request phase up to after-sales support. Their needs and opinions are what matters the most to us and are a valuable opportunity to build and nurture strong partnerships and relationships. We offer a 12-month manufacturer's warranty on all equipment.



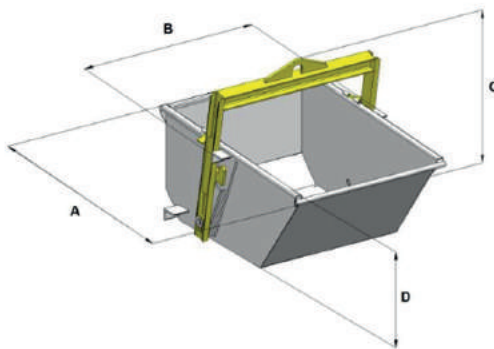


# SELF-DUMPING BIN

CODE : 10.01

## Features:

- ◆ Four models available: from 1000 L to 3000 L capacity
- ◆ Useful for handling general waste and debris material
- ◆ Automatic self dumping



MODEL	DIMENSIONS (mm)				CAPACITY (L)	CAPACITY (kg)	WEIGHT (kg)
	A	B	C	D			
10.01.09	1200	868	853	482	300	600	73
10.01.12	1302	1062	986	518	500	1000	86
10.01.15	1545	1172	1124	650	750	1500	124
10.01.17	1716	1290	1201	665	1000	2000	246
10.01.19	1806	1272	1325	805	1500	3000	296
10.01.23	1990	1592	1496	864	2000	4000	549
10.01.24	2167	1942	1607	927	3000	6000	675

RAL COLOR

7035

STANDARD FINISH

Powder painted - also available with hot-dip galvanized coating

SAFETY

Meets or exceeds ASME standards

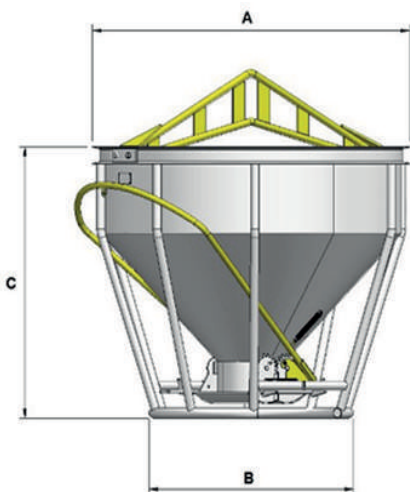


# CONCRETE BUCKET

CODE : 11.08

## Features:

- ◆ Four models available: from 500 L to 2000 L capacity
- ◆ Bottom discharge
- ◆ Automatic closing of the discharge gate



MODEL	DIMENSIONS (mm)			CAPACITY (L)	CAPACITY (kg)	WEIGHT (kg)
	A	B	C			
11.08.12	1086	646	1130	500	1300	116
11.08.17	1624	838	1259	1000	2600	262
11.08.19	1630	838	1525	1500	3900	317
11.08.21	1900	1065	1525	2000	5200	479

RAL COLOR

7035

STANDARD FINISH

Powder painted - also available with hot-dip galvanized coating

SAFETY

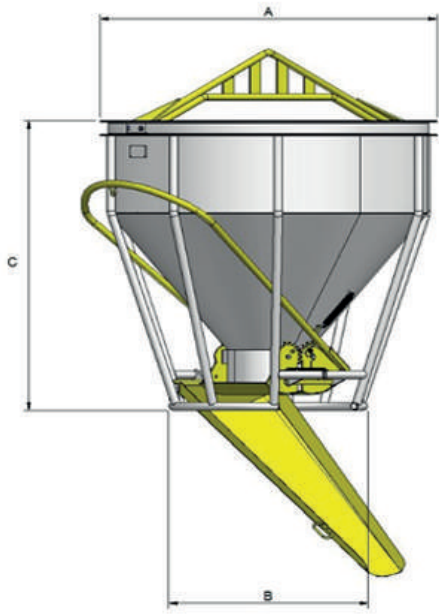
Meets or exceeds ASME standards

# CONCRETE BUCKET WITH SIDE CHUTE

CODE : 11.08 SC

## Features:

- ◆ Four models available: from 500 L to 2000 L capacity
- ◆ Bottom and side discharge
- ◆ Automatic closing of the discharge gate



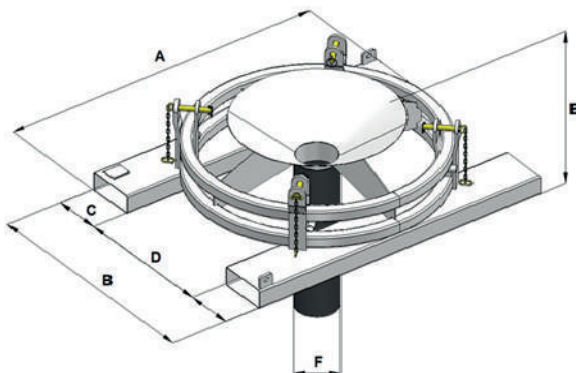
MODEL	DIMENSIONS (mm)			WEIGHT (kg)	CAPACITY (L)	CAPACITY (kg)
	A	B	C			
11.08.12SC	1086	646	1130	125	500	1300
11.08.17SC	1624	838	1259	283	1000	2600
11.08.19SC	1630	838	1525	338	1500	3900
11.08.21SC	1900	1065	1525	510	2000	5200

# FORKLIFT POCKETS FOR CONCRETE BUCKET

CODE : 11.08 FP

## Features:

- ◆ Suited for the concrete buckets from 500 L to 2000 L capacity
- ◆ Detachable accessory
- ◆ Rubber hose: 2 m length and 200 mm diameter



MODEL	DIMENSIONS (mm)					
	A	B	C	D	E	F
11.08.12FP	1150	900	250x100	400	384	200
11.08.17FP	1300	964	250x108	464	410	200
11.08.19FP	1300	964	250x108	464	410	200
11.08.21FP	1560	1224	250x108	724	444	200

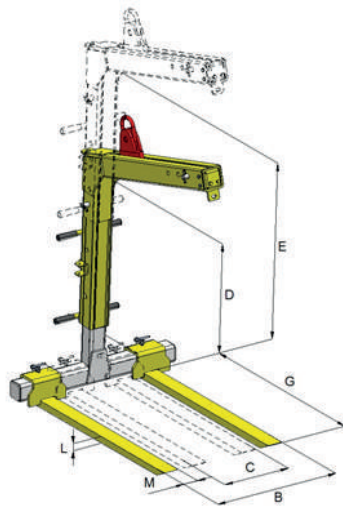


# CRANE FORK

CODE : 15.09

## Features:

- ◆ From 1500 kg to 3000 kg capacity
- ◆ Fully self levelling and adjustable height and forks
- ◆ Pins' length: 1000 mm



MODEL	DIMENSIONS (mm)				WLL (kg)	WEIGHT (kg)
	C-B	D-E	G	L-M		
15.09.19	350x950	1154-1705	1000	30x90	1500	150
15.09.21	370x960	1154-1703	1000	35x100	2000	180
15.09.23	400x980	1279-1828	1000	40x90	2500	230
15.09.24	360x980	1279-1828	1000	35x120	3000	250

RAL COLOR

7035

STANDARD FINISH

Powder painted - also available with hot-dip galvanized coating

SAFETY

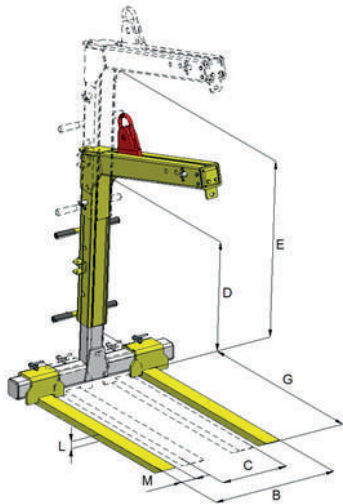
Meets or exceeds ASME standards

# CRANE FORK

CODE : 15.09 P12

## Features:

- ◆ From 1500 kg to 3000 kg capacity
- ◆ Fully self levelling and adjustable height and forks
- ◆ Pins' length: 1200 mm



MODEL	DIMENSIONS (mm)				WLL (kg)	WEIGHT (kg)
	C-B	D-E	G	L-M		
15.09.19.P12	350x950	1150-1700	1200	35x100	1500	195
15.09.21.P12	370x960	1150-1700	1200	35x120	2000	210
15.09.23.P12	400x980	1280-1830	1200	40x90	2500	270
15.09.24.P12	360x980	1280-1830	1200	50x120	3000	315

RAL COLOR	7035
STANDARD FINISH	Powder painted - also available with hot-dip galvanized coating
SAFETY	Meets or exceeds ASME standards

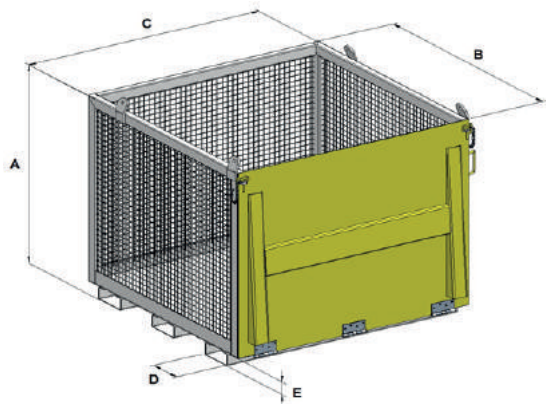


# MATERIAL BASKET

CODE : 20.02

## Features:

- ◆ Lifting cage for lifting and handling materials or equipment
- ◆ Forklift pockets and lifting eyes
- ◆ Equipped with ramp access



MODEL	DIMENSIONS (mm)					WLL (kg)	WEIGHT (kg)
	A	B	C	D	E		
20.02.21	1080	1250	1250	180	65	2000	203

RAL COLOR

7035

STANDARD FINISH

Powder painted - also available with hot-dip galvanized coating

SAFETY

Meets or exceeds ASME standards

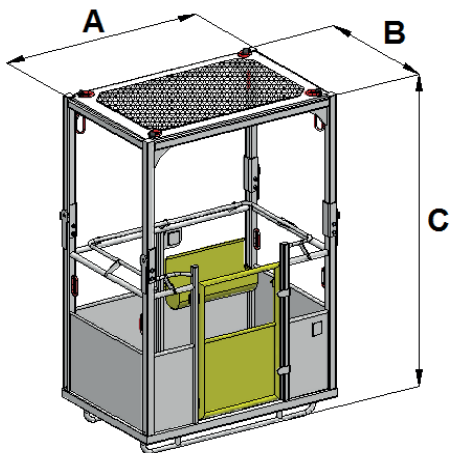


# CRANE MAN BASKET

CODE : 30.10

## Features:

- ◆ Safety man basket for 2 people
- ◆ Fitted with handrail, access door and removable roof
- ◆ Test weight on request



MODEL	DIMENSIONS (mm)			N. OF PEOPLE	WLL (kg)	WEIGHT (kg)
	A	B	C			
30.10.05R	1500	1000	2389	2	300	360

RAL COLOR

7035

STANDARD FINISH

Powder painted - also available with hot-dip galvanized coating

SAFETY

Meets or exceeds ASME standards

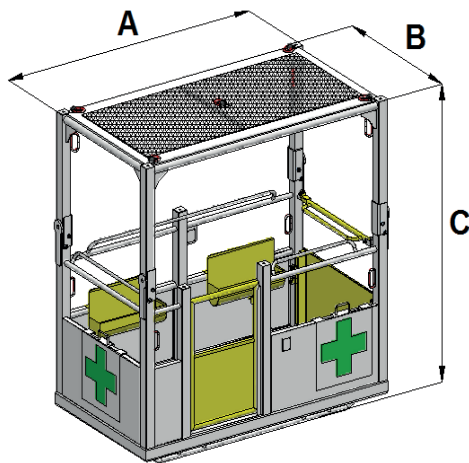


# CRANE MAN BASKETS

CODE : 30.10 / 30.30

## Features:

- ◆ Safety man basket for 4 people
- ◆ Fitted with handrail, access door and removable roof
- ◆ Test weight on request



MODEL	DIMENSIONS (mm)			N. OF PEOPLE	WLL (kg)	WEIGHT (kg)
	A	B	C			
30.30.05R	2240	1245	2399	4	615	610

RAL COLOR

7035

STANDARD FINISH

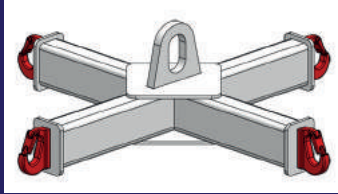
Powder painted - also available with hot-dip galvanized coating

SAFETY

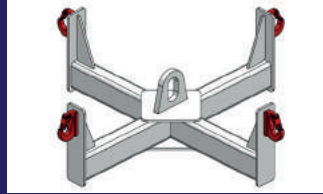
Meets or exceeds ASME standards

# LIFTING BEAMS AND SPREADER BARS

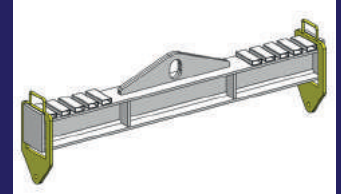
CUSTOM-MADE AND ON REQUEST



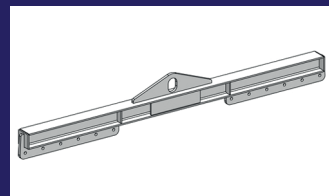
Big Bag Lifting Frame



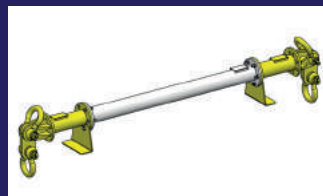
Lowered Big Bag Lifting Bar



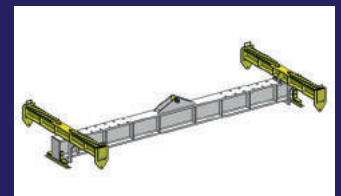
Adjustable Lifting Beam



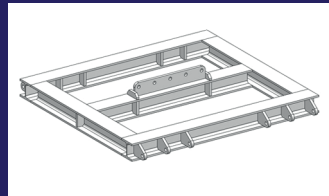
Adjustable Lifting Beam



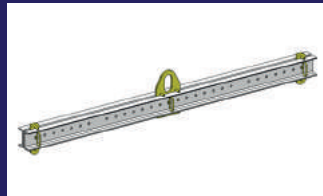
Modular Spreader Bar



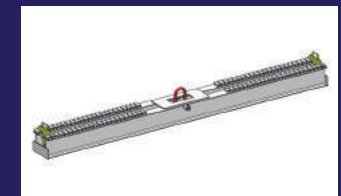
H-Lifting Beam



Adjustable Square Lifting Beam



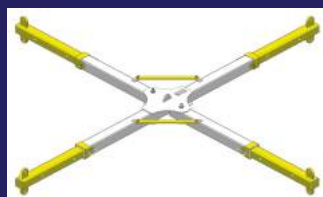
Adjustable Lowered Lifting Beam



Adjustable Lowered Lifting Beam



Telescopic Spreader Bar



Foldable Cross Spreader Bar



Customized lifting beam

RAL COLOR

7035

STANDARD FINISH

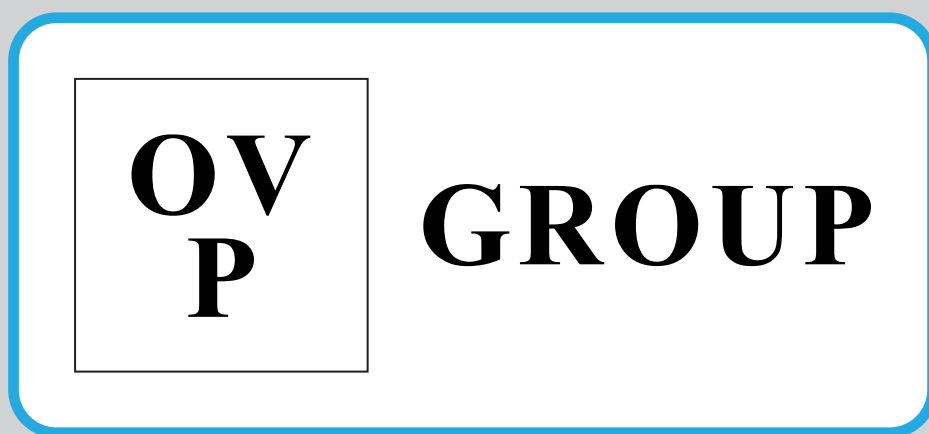
Powder painted - also available with hot-dip galvanized coating

SAFETY

Meets or exceeds ASME standards

# NOTES

---



Via Beggiano, 2/2  
36025 Noventa Vicentina (VI) - Italy  
Tel: 0444-767014  
[www.ovp-group.com](http://www.ovp-group.com) | [ovpgroupsas@gmail.com](mailto:ovpgroupsas@gmail.com)  
P. IVA: IT04109780249